



Tool Enquiry - Port Cutter

Nose Diameter D1

Shank Diameter D2

Overall Length L1

Flute Length L2

Number of Flutes

Nose Rad/Chamfer R1

Step Diameter D3 D4 D5

Step Lengths L3 L4

L5 L6

Step Radius/Chamfer R2 R3 R4

Material HSS HSCo

Carbide Brazed Carbide

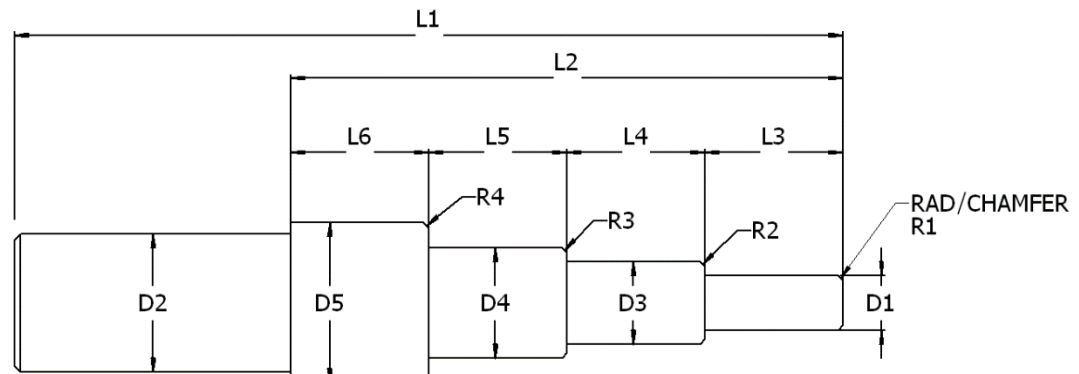
Coated Y N

Preferred Coating

Quantity Required

Delivery Requirements

Additional Information



Contact Name

Company Name

Company Address

Contact Telephone

Contact Email

Signed