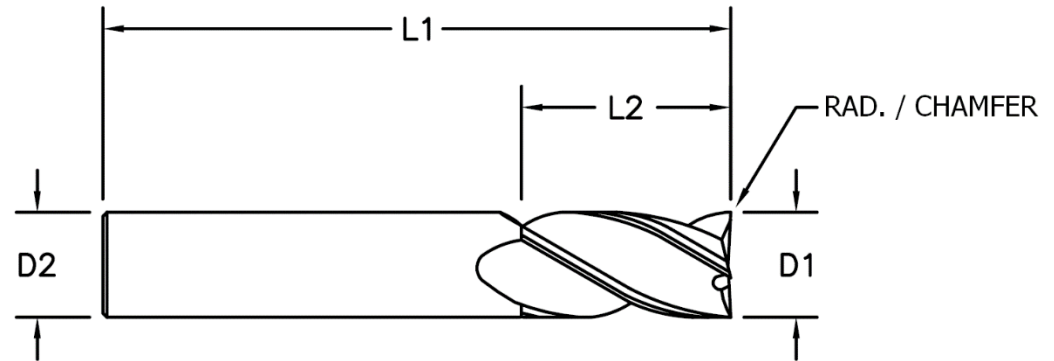


Tool Enquiry - Slot Drill / Endmill

Cutting Diameter	D1	<input type="text"/>		
Shank Diameter	D2	<input type="text"/>		
Overall Length	L1	<input type="text"/>		
Flute Length	L2	<input type="text"/>		
Number of Flutes		<input type="text"/>		
Helix	RH	<input type="checkbox"/>	LH	<input type="checkbox"/>
Variable Helix	Y	<input type="checkbox"/>	N	<input type="checkbox"/>
Unequal Index	Y	<input type="checkbox"/>	N	<input type="checkbox"/>
Helix Angle		<input type="text"/>		
Radius / Chamfer		<input type="text"/>		
Material	HSS	<input type="checkbox"/>	HSCo	<input type="checkbox"/>
	Carbide	<input type="checkbox"/>	Brazed Carbide	<input type="checkbox"/>
Coated	Y	<input type="checkbox"/>	N	<input type="checkbox"/>
Preferred Coating		<input type="text"/>		
Quantity Required		<input type="text"/>		
Delivery Requirements		<input type="text"/>		
Additional Information	<input type="text"/>			



Contact Name	<input type="text"/>
Company Name	<input type="text"/>
Company Address	<input type="text"/>
Contact Telephone	<input type="text"/>
Contact Email	<input type="text"/>
Signed	<input type="text"/>